



## The capillary clip has evolved!

Sturdy design replaces old copper "one size only" clips.

### Features and Benefits:

New capillary clip design enhancements:

- Unit has the ability to hold 3 different sizes of capillary tubing 1/8", 1/4" and 3/8"
- Slots are available to use nylon zip ties to hold tubing in place
- Inside tapered ridges allow tubing to be snapped in then held into place.
- 90 degree top mounting ability
- Reinforcement between 90 deg mounting and clip has the ability to hold a single sensor (sliding it in from the end) of approx 1/4" diameter
- Scribe or score mark allows units to be separated into 2 parts. One part can be used as a capillary mounting clip for mounting in the same plane. The other part can be used as a sensor mounting bracket for 1/4" diameter sensors. Either part can be discarded if not used.
- Plenum rated, class 94V-2 Nylon
- Available in 3 colors: NATURAL, BEIGE & GREY. Custom colors available (10,000 piece minimum)

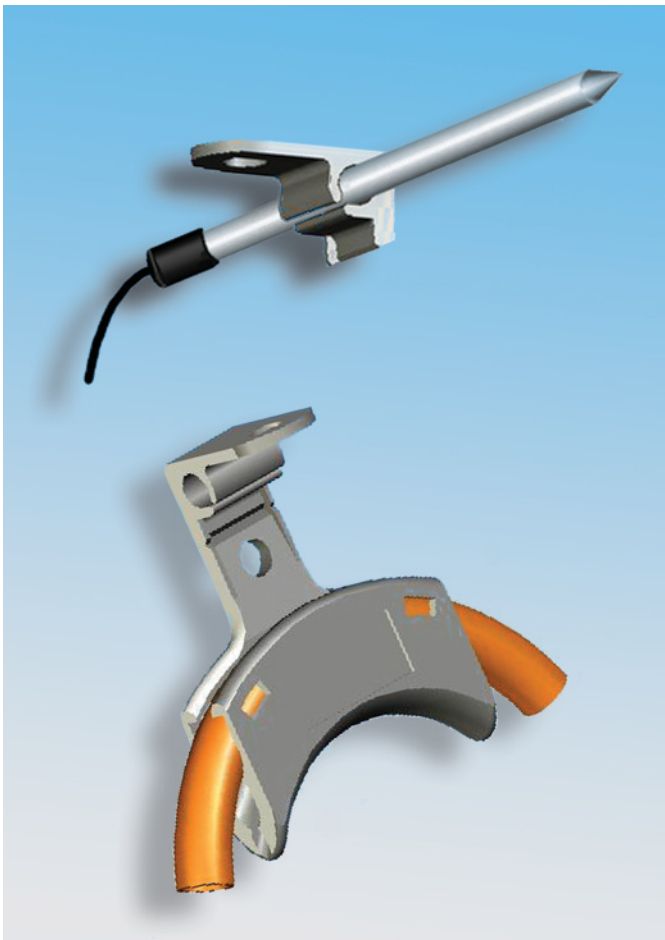
### Ordering Information:

CC1-N.....NATURAL

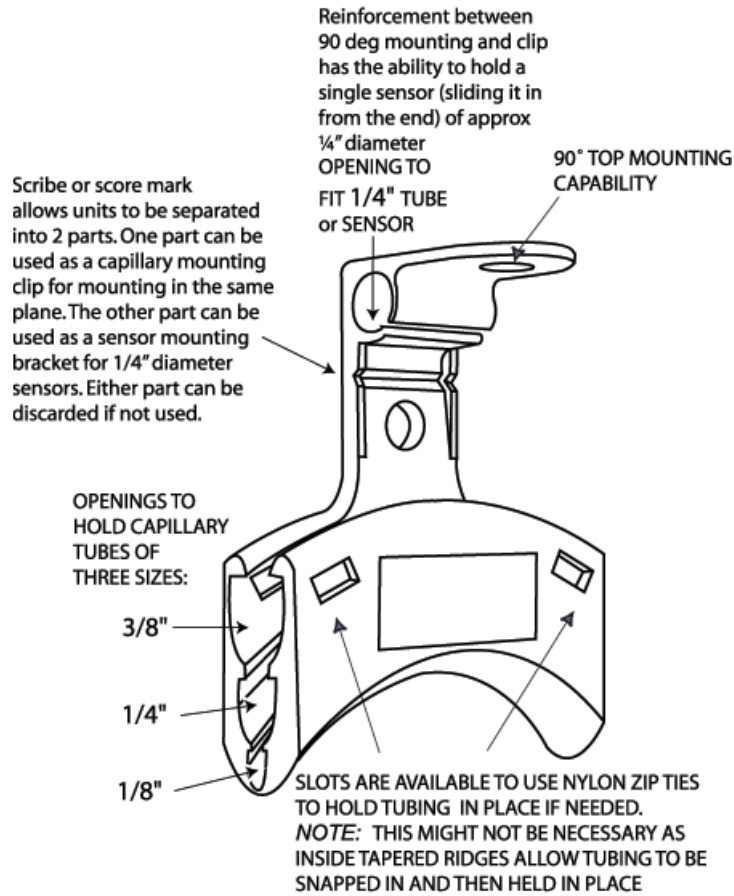
CC1-B.....BEIGE

CC1-G .....GREY

Custom colors available (10,000 piece minimum)



## Design Enhancements:



## Dimensions:

